

# TYPICAL WIRING FOR ROOM CONTROLLERS

# KEY



ROOM CONTROLLER

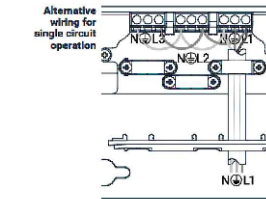


5-CORE CABLE  
between controller and lighting circuit

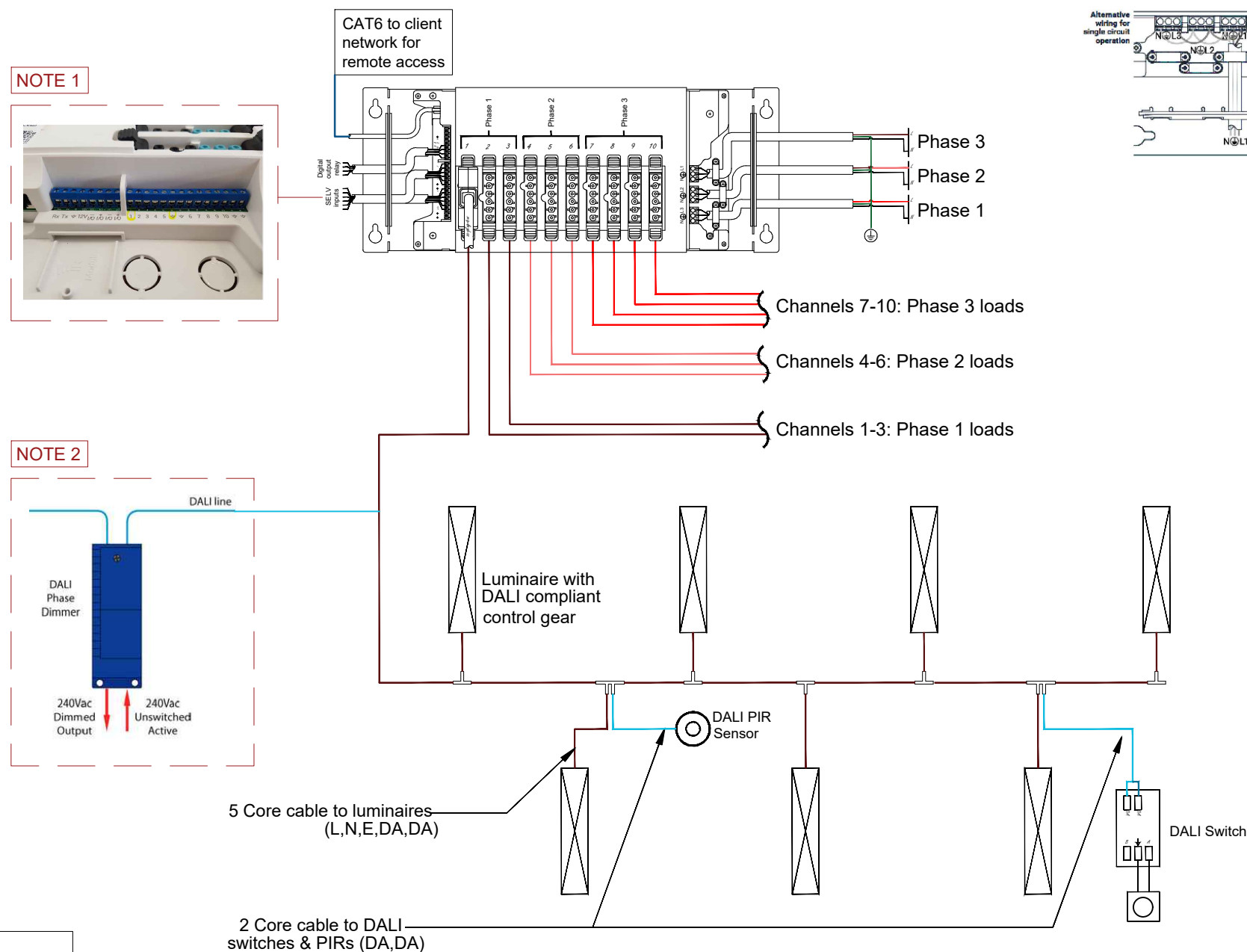


2-CORE DALI CABLE

Controller needs power to all channels to function, if some channels are unused please loop;



DALI Room Controller Circuiting (NTS):



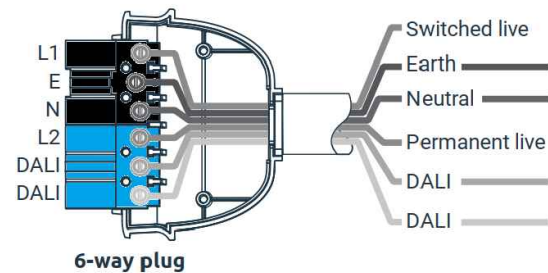
## GENERAL NOTE:

Refer to project specific Scope of Works documentation by IEL for project details.

## NOTES:

1. Dry Contact (eg. Security / Fire) Interface wiring details.
2. Phase dim to DALI details.

# TYPICAL WIRING FOR ROOM CONTROLLER PLUGS



PRINT IN COLOUR

REV	DESCRIPTION	DATE	BY	REV	DESCRIPTION	DATE	BY
A	GENERAL ASSEMBLY	23/12/20	ML				



Intelligent Environments Limited.  
PO Box 15153, New Lynn  
Auckland 0640, New Zealand  
P: +64 (9) 2813727  
F: +64 (9) 2813729  
E: service@i-e.co.nz  
www.i-e.co.nz

SHEET TITLE:  
**LIGHTING CONTROL  
TYPICAL GENERAL ASSEMBLY  
ROOM CONTROLLERS**

SCALE: NOT TO SCALE  
DATE: 23/12/2020  
DRAWN: ML  
SA: RM

REVISION: <b>A</b>